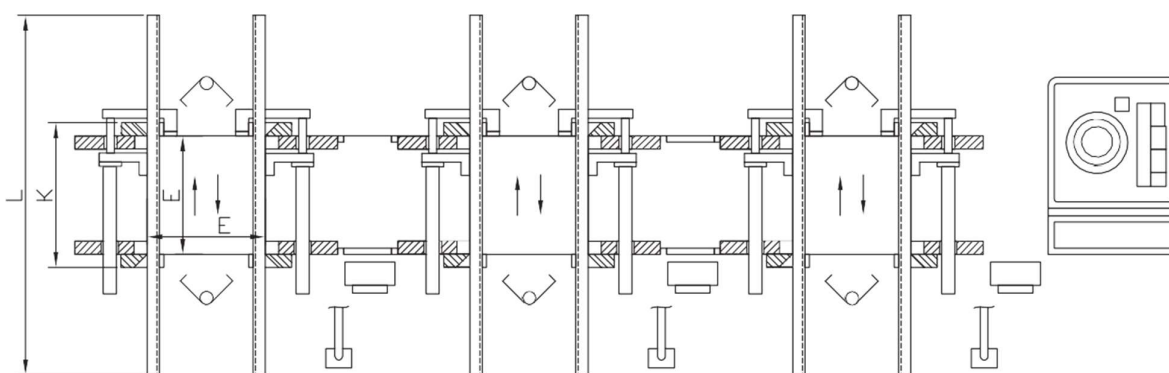
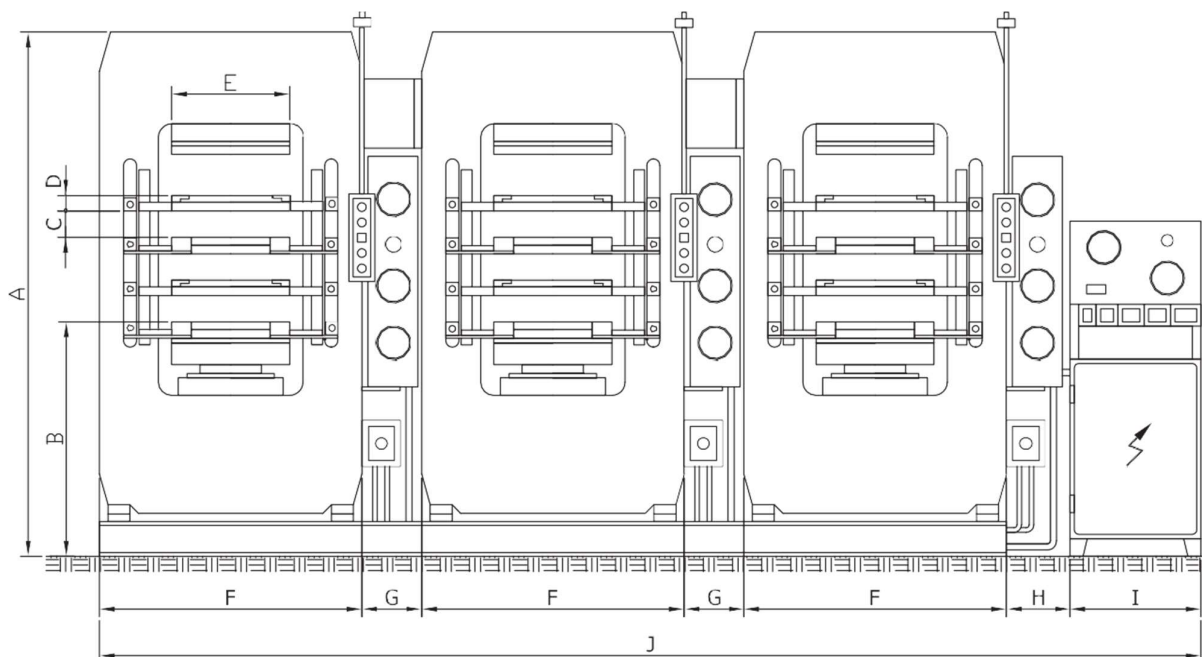




68.23/10.4.1

HYDRAULIC PRESSES, TYPE 3HP

L1/2



MEASURES TYPE	MEASURES											HPI	
	A	B	C	D	E	F	G	H	I	J	K	L	D
3HP 100 .2	2000	900	250	45	400	1020	300	250	500	4410	500	1200	60
3HPI 100 .4	2090	900	125	45	400	1020	300	250	500	4410	500	1200	60
3HP 150 .2	2050	900	250	45	500	1120	300	250	500	4710	600	1500	60
3HPI 150 .4	2140	900	125	45	500	1120	300	250	500	4710	600	1500	60
3HP 250 .2	2200	900	250	45	500	1200	300	300	600	5100	600	1500	60
3HPI 250 .4	2290	900	125	45	500	1200	300	0	600	5100	600	1500	60



TECOOP - ENG D.O.O
INDUSTRIJSKI INŽENJERING

Srbija - 26000 PANČEVO, Savska 12 - 14.
Tel. +381 13 346226 Tel./Fax +381 13 346042
www.tecoop.co.rs / tecoopeng@mts.rs

**PURPOSE AND DESCRIPTION**

These presses are used for the production of different technical products by vulcanization of rubber in molds.

The basic design of the presses is a frame type with a hydraulic cylinder placed from the top.

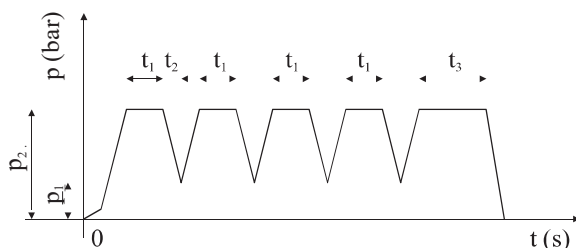
The hydraulic drive unit consist of: tank, pumps for low and high pressure and the complete necessary measuring and controlling instruments. The electrical equipment consists of: electrical cabinet, control box and all the necessary measuring and controlling instruments.

The heating platens can be heated with:

- dry saturated steam (8bar / 170°C) with manual, or at request, automatic regulation
- electric heaters with automatic regulation

The control of the presses is:

- manual, only for adjustments
- semi-automatic, programs with maximum four degassings



p_1 - degassing pressure

p_2 - pressure of pressing

t_1 - interval between two degassings (1,5 ÷ 150)s

t_2 - degassing time (0,1 ÷ 5)s

t_3 - pressing time (1,5 ÷ 2000) s

... on special request

Standard press types are with (HPI) or without mold extracting (HP). Mold extraction is simultaneous, with even molds extracting towards one side, and odd molds to the other.

The presses can be delivered individually or as a set of 3 presses (3HP or 3HPI). Press batteries have common hydraulic drive unit with separate programing for each press..

Except the mentioned standard press types, we make presses on

Technical data	TYPE	3HP100	3HP150	3HP250	On special request.	
		3HPI100	3HPI150	3HPI250		
Max pressing force	kN	3 x 990	3 x 1550	3 x 2530	On special request.	
Heating plates size "E"	mm	400 x 400	500 x 500	500 x 500		
Number of daylight	kom	2 / 4	2 / 4	2 / 4		
Daylight haight "C"	mm	250 / 125	250 / 125	250 / 125		
Max pressing pressure	N/cm ²	620	620	640		
Piston stroke	mm	500	500	500		
Closing speed	mm/s	30	20	25		
Pressing speed	mm/s	1,4	1,3	1,3		
Electro heaters power	kW	3x6 / 3x10	3x9 / 3x15	3x9 / 3x15		
Hydraulic drive power	HP/HPI	kW	2,2 / 3,3	3,0 / 4,1		5,5 / 6,6
Press weight	kg	4500	6700	9100		

