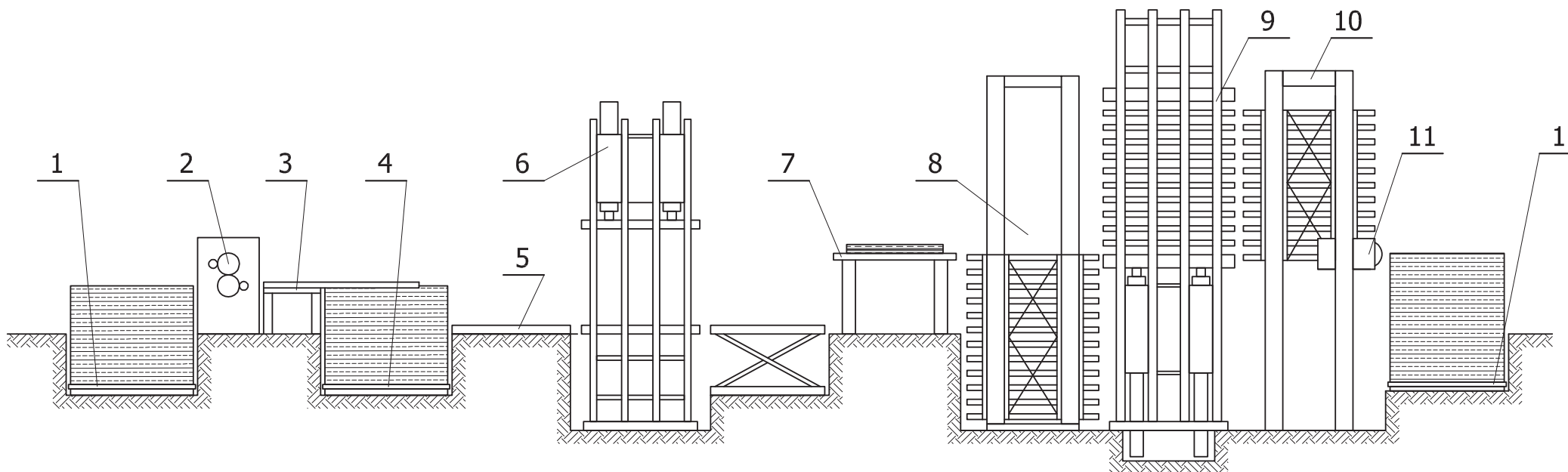


## LINE FOR PRODUCTION OF PLYWOOD



Purpose: Production of plywood made of veneer

- |                              |   |
|------------------------------|---|
| 1. Lifting table             | 6. Cold pre-press   |
| 2. Device for glue spreading | 7. Charging conveyor  |
| 3. Disc conveyor             | 8. System for charging of multiple daylight opening press     |
| 4. Stacking table            | 9. Multiple daylight opening warm press                       |
| 5. Input conveyor            | 10. System for discharging of multiple daylight opening press |
|                              | 11. Output conveyor   |

Main technical characteristics:

Heating plate size	2700 x 1700 mm	On request
Size of finished panels	2600 x 1600 mm	
Specific pressure	max 240 N/cm <sup>2</sup>	
...	...	