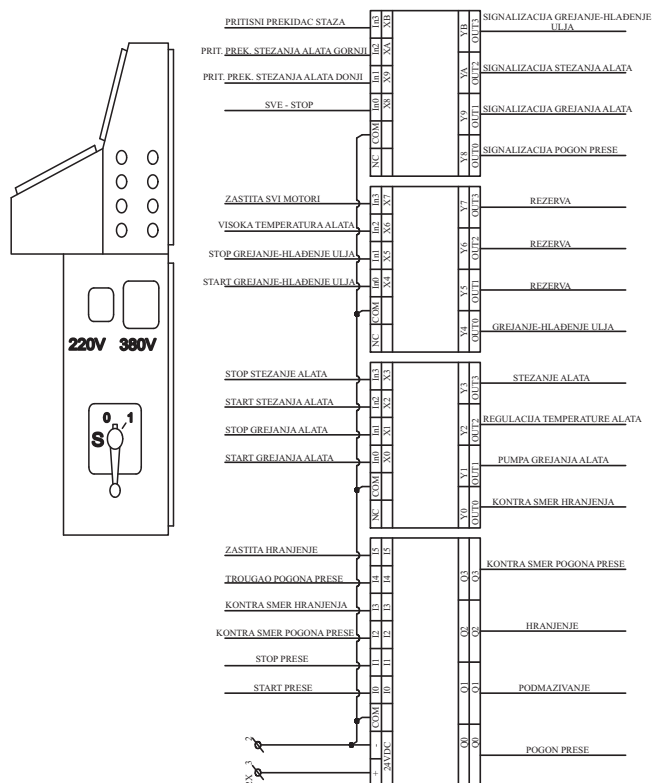
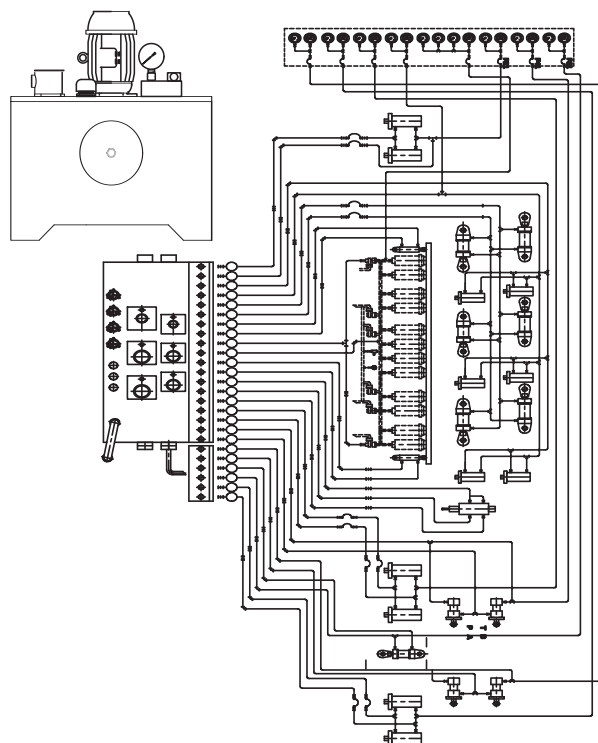


# RECONSTRUCTION, OVERHAUL, SPARE PARTS, MISCELLANEOUS MACHINES

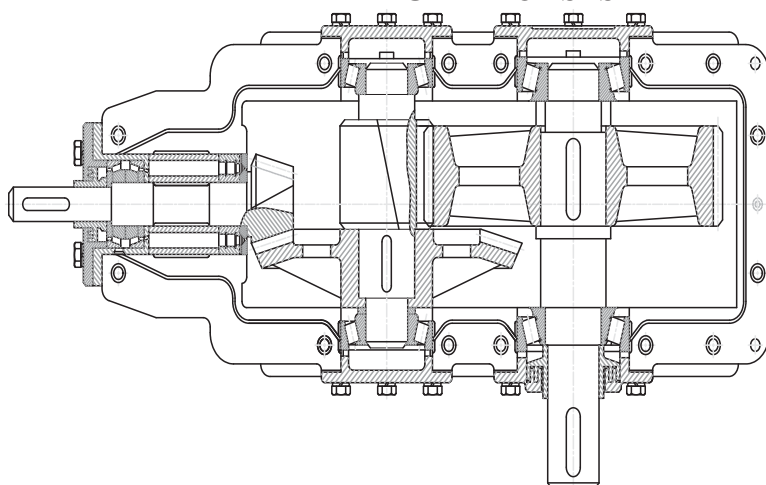
## ELECTRIC CABINETS



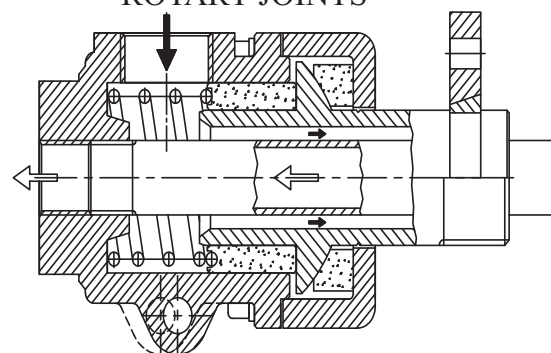
## HYDRAULIC POWER UNIT



## GEARBOXSES



## ROTARY JOINTS



Recovering of parts:

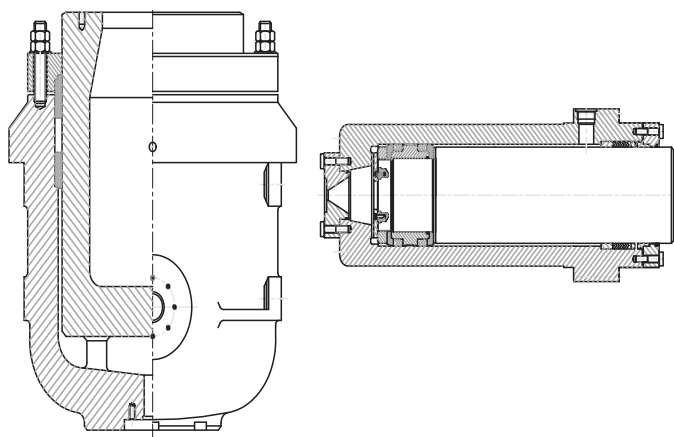
- welding,
- chroming,
- nitriding,
- ...



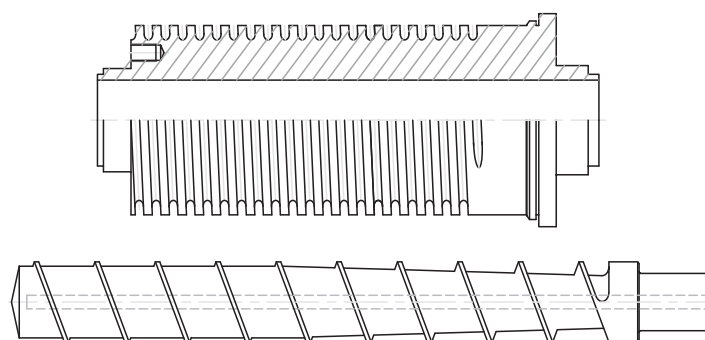
### GEARS



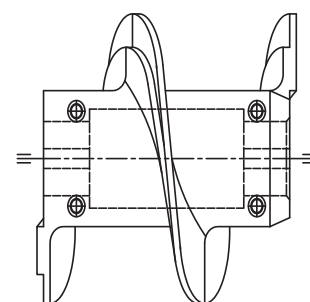
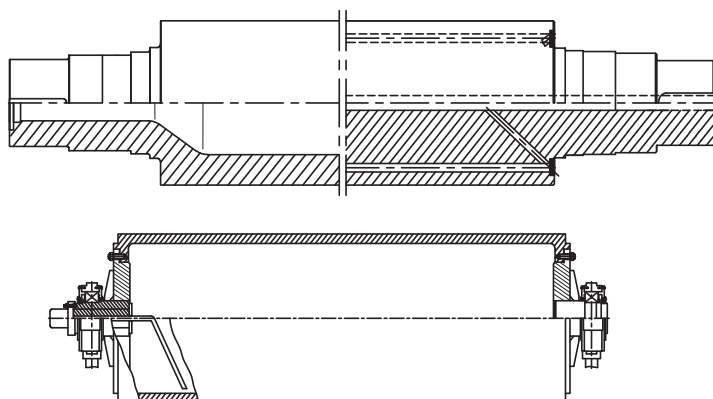
### HYDRAULIC CYLINDERS



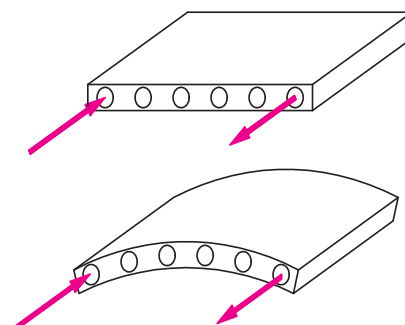
### SLUGS AND CYLINDERS



### ROLLERS



### HEATING PLATES



For more information look at [www.tecoop.co.rs](http://www.tecoop.co.rs)

