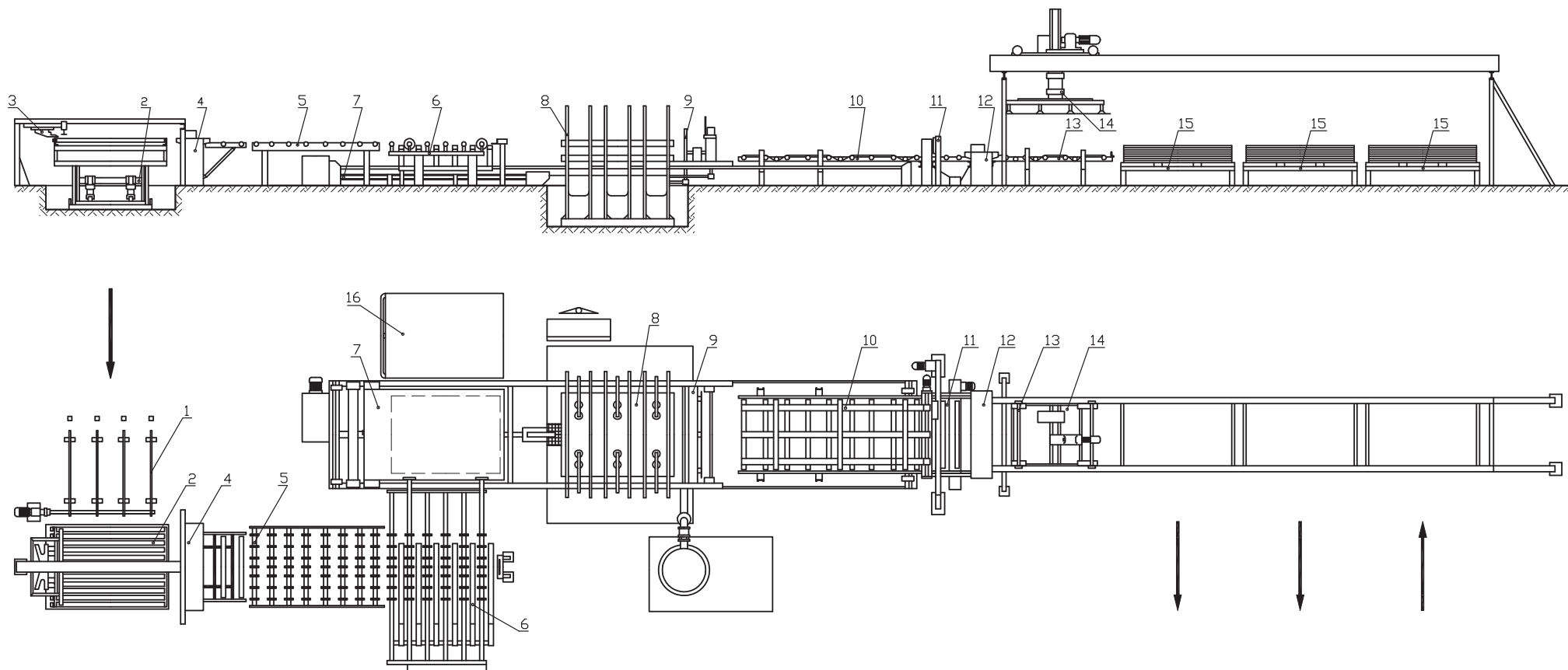


**PANELS LAMINATING PLANT**

Purpose: chip plates laminating.

- |                            |                         |
|----------------------------|-------------------------|
| 1. Ground conveyor         | 9. Output conveyor      |
| 2. Hydraulic lifting table | 10. Centering conveyor  |
| 3. Board pusher            | 11. Trimming machine    |
| 4. Cleaning machine        | 12. Cleaning machine    |
| 5. Disc conveyor           | 13. Centering conveyor  |
| 6. Fork conveyor           | 14. Stacking device     |
| 7. Input conveyor          | 15. Panel keeping table |
| 8. Hydraulic press         | 16. Paper keeping table |

Main technical data:

Heating plates size	2200 x 2900 [mm]	On request
Size of finished panels	2050 x 2750 [mm]	
Specific pressing pressure	max 270 [N/cm <sup>2</sup> ]	
...	...	



**TECOOP-ENG D.O.O.**

INDUSTRIJSKI INŽENJERING

Srbija-26000 PANČEVO, Savska 12-14  
 Tel +381 13 346226 Tel/Fax +381 13 346042  
 www.tecoop.co.rs / tecoop@sezampro.rs